

QT2730

EPA Est. No. 82809-FL-1

TripleGuard

Industrial-Grade UV Air Sanitizer

This advanced patent-pending triple-protection whole house air purification system sanitizes air using:

1. **UV-C Light**
2. **Photocatalytic Oxidation**
3. **Activated Carbon/Potassium Permanganate (AC/PP) Purifier**

Twice the power of most air purifiers, means faster air purification for systems up to 7 tons or 3000 CFM. This is an industrial-grade air purification system that can be applied to residential systems.

UV-C Light

- ▶ Lethal to many viruses and bacteria* by damaging their DNA and RNA
**Escherichia coli and Phi X174 bacteriophage*
- ▶ Baffled design to increase UV exposure time, increases effectiveness
- ▶ Stimulates the Photocatalytic Oxidation

Photocatalytic Oxidation (PCO)

- ▶ Forms powerful hydroxyl radicals that break down organic substances by oxidation
- ▶ Reduces bacteria, viruses, and odors as well as volatile organic carbons (VOCs) emitted from paints, cleaners, building materials, and cooking.

Activated Carbon/Potassium Permanganate (AC/PP) Purifier

- ▶ Final Air Polishing - Activated carbon adsorbs volatile components and odors to further clean the air.
- ▶ Potassium Permanganate works as a strong oxidizing agent to provide an additional level of protection beyond the PCO and is extremely safe (on the World Health Organization Model List of Essential Medicines).

<https://list.essentialmeds.org/medicines/153>

For more details or information about **TripleGuard**
visit www.qwik.com

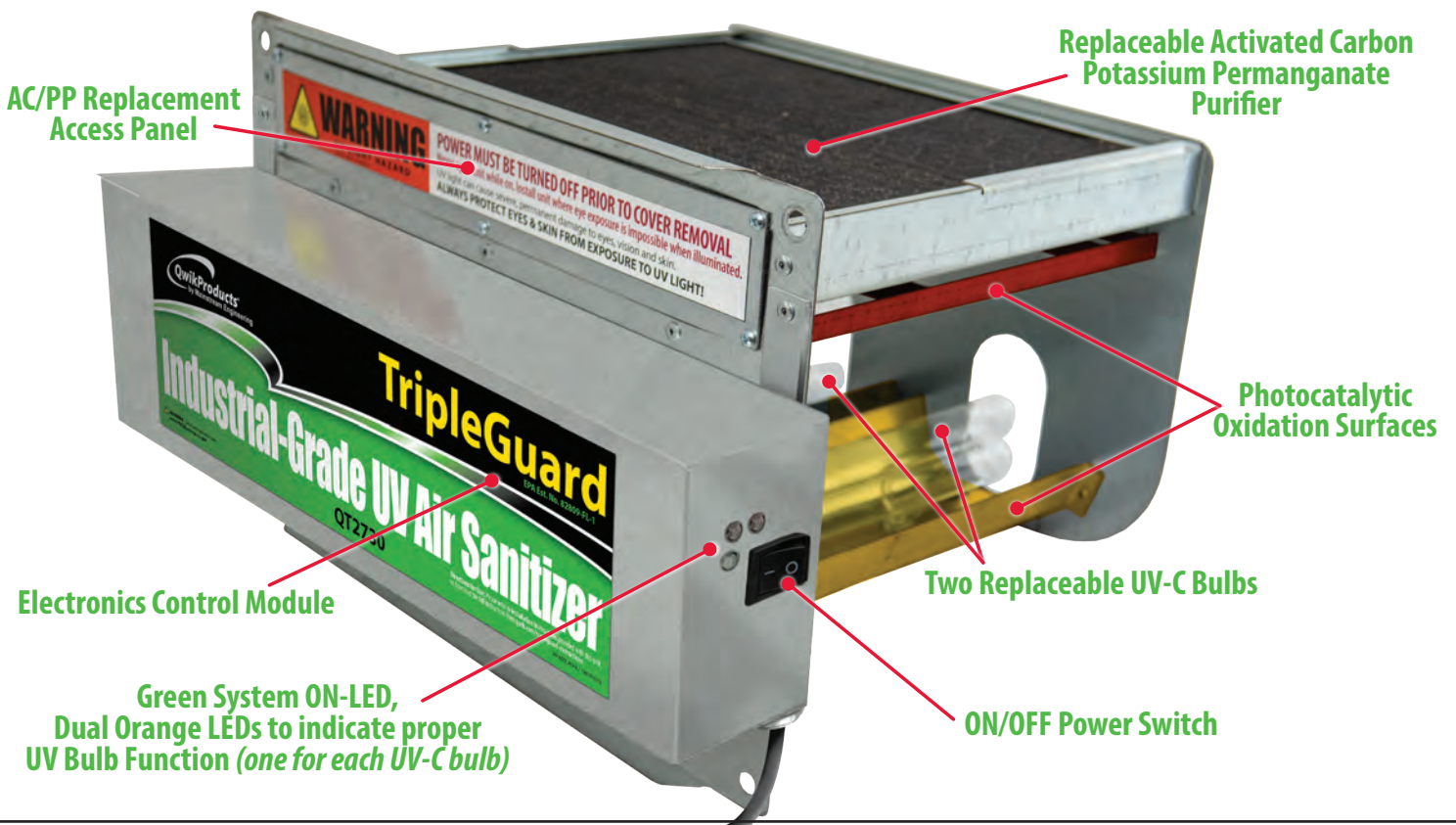
QwikProducts® and Mainstream Engineering Corporation® are registered trademarks of Mainstream Engineering Corporation.
Rockledge, Florida 32955, (321) 631-3550



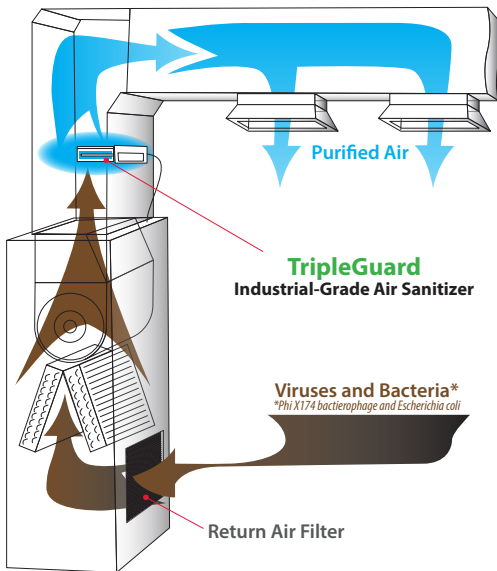
Built to Last - Industrial-Grade Design

- ▶ Multiple voltage capability, can operate on 120, 208 or 240 VAC
- ▶ Designed for continuous operation but can also be operated when only the blower is operating.
- ▶ Dual lamps provide ample UV-C with individual bulb indicators to tell you when to change the lamps, typically every year.
- ▶ UV-C bulbs are specially coated to prevent any ozone formation. (Ordinary UV-C bulbs can create harmful TOXIC ozone)
- ▶ PCO surface is cleanable, allowing the catalyst to be renewed with simple cleaning (recommend to be cleaned when UV-C bulbs are changed).
- ▶ Normally the AC/PP purifier would need to be changed frequently to treat the whole home, but the UV/PCO combination greatly reduces the load on the AC/PP purifier, allowing it to operate and clean the air for much longer. Typically, we recommend changing the AC/PP purifier annually.





What it Does



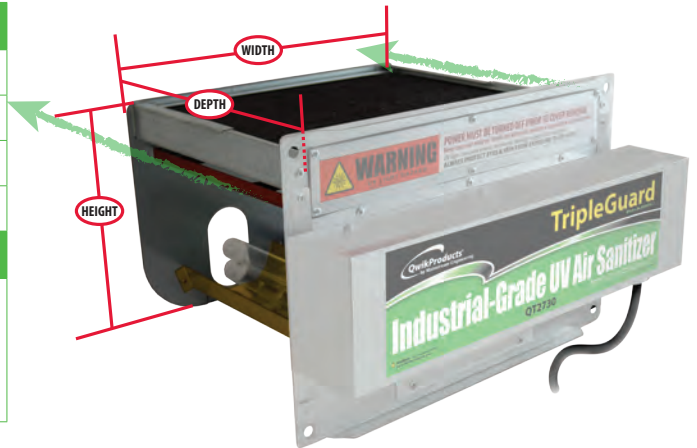
Technical Specifications

Inserted Dimensions

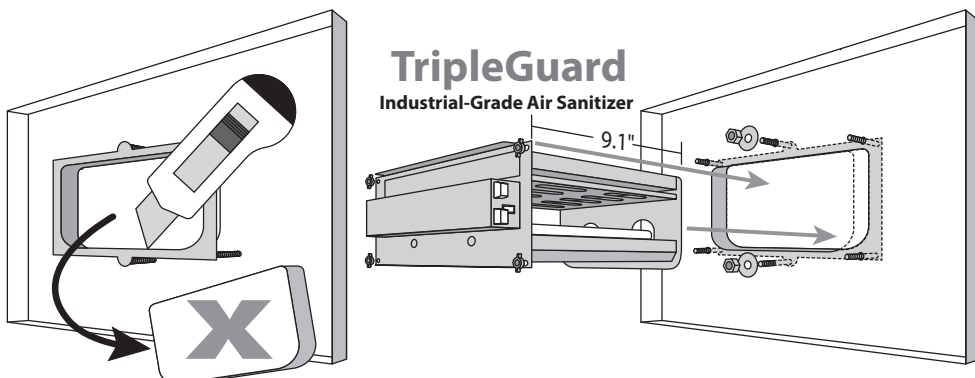
Height	7"
Width	10.4"
Depth	9.1"
Weight	7.5 lbs

Power

120, 208 or 240 VAC
single-phase
0.8A @ 120V
and 0.4A @ 240V.



How it's Installed



Replaceable Parts

QT2734 - Replacement AC/PP Purifier



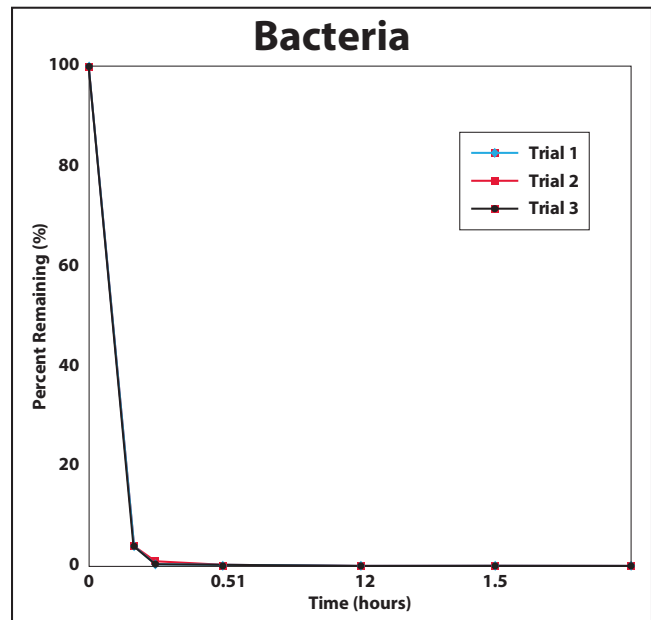
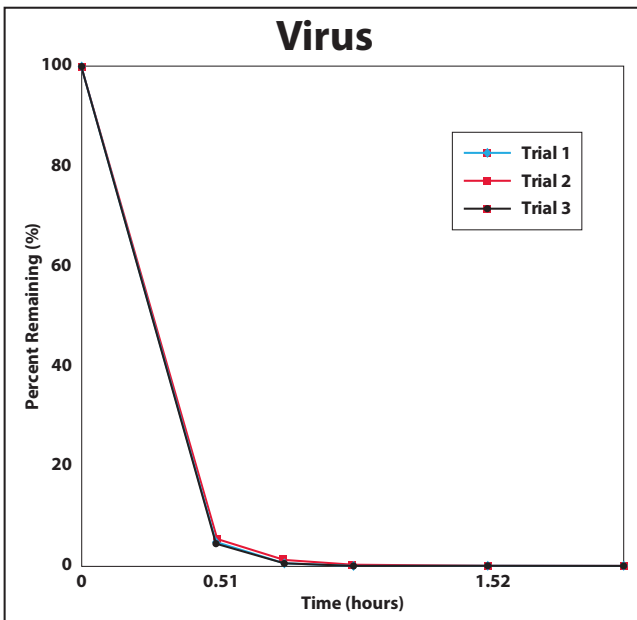
QT2732 - Replacement UV-C Bulbs (2-pack)

TripleGuard

Proven to be 99.9% Effective in Removing Harmful Bacteria and Viruses!*

**Escherichia coli* and *Phi X174 bacteriophage*

Organism Type	Virus	Bacteria
Organism Name	<i>Phi-X174</i>	<i>E. coli</i>
Percent Reduction (average of three individual trials)	99.9%	99.9%



- ▶ "UVC light has been shown to quickly inactivate the novel coronavirus, SARS-CoV-2. It can be an effective disinfectant but needs to be used correctly to avoid damage to the skin and eyes."¹
- ▶ "UVC radiation is a known disinfectant for air, water, and nonporous surfaces. UVC radiation has effectively been used for decades to reduce the spread of bacteria, such as tuberculosis. For this reason, UVC lamps are often called "germicidal" lamps."²
- ▶ Photocatalytic Oxidation (PCO) forms powerful hydroxyl radicals that break down organic substances by oxidation.³
- ▶ Activated Carbon/Potassium Permanganate (AC/PP) Purifier polishes the air. Activated carbon adsorbs volatile components and odors.⁴
- ▶ Potassium Permanganate works as a strong oxidizing agent to remove odorous compounds.⁵

References that support these claims

- 1 <https://sites.nationalacademies.org/BasedOnScience/covid-19-does-ultraviolet-light-kill-the-coronavirus/index.htm>
- 2 <https://www.fda.gov/medical-devices/coronavirus-covid-19-and-medical-devices/uv-lights-and-lamps-ultraviolet-c-radiation-disinfection-and-coronavirus#coronavirus>
- 3 https://19january2017snapshot.epa.gov/indoor-air-quality-iaq/residential-air-cleaners-second-edition-summary-available-information_.html#photocatalytic
- 4 <https://www3.epa.gov/ttnecat1/dir1/fadsorb.pdf>
- 5 <https://ww2.arb.ca.gov/our-work/programs/air-cleaners-ozone-products/air-cleaners-removal-odorous-compounds-associated>

View the full report at...

www.qwik.com/tripleguard-efficacy-test-results/