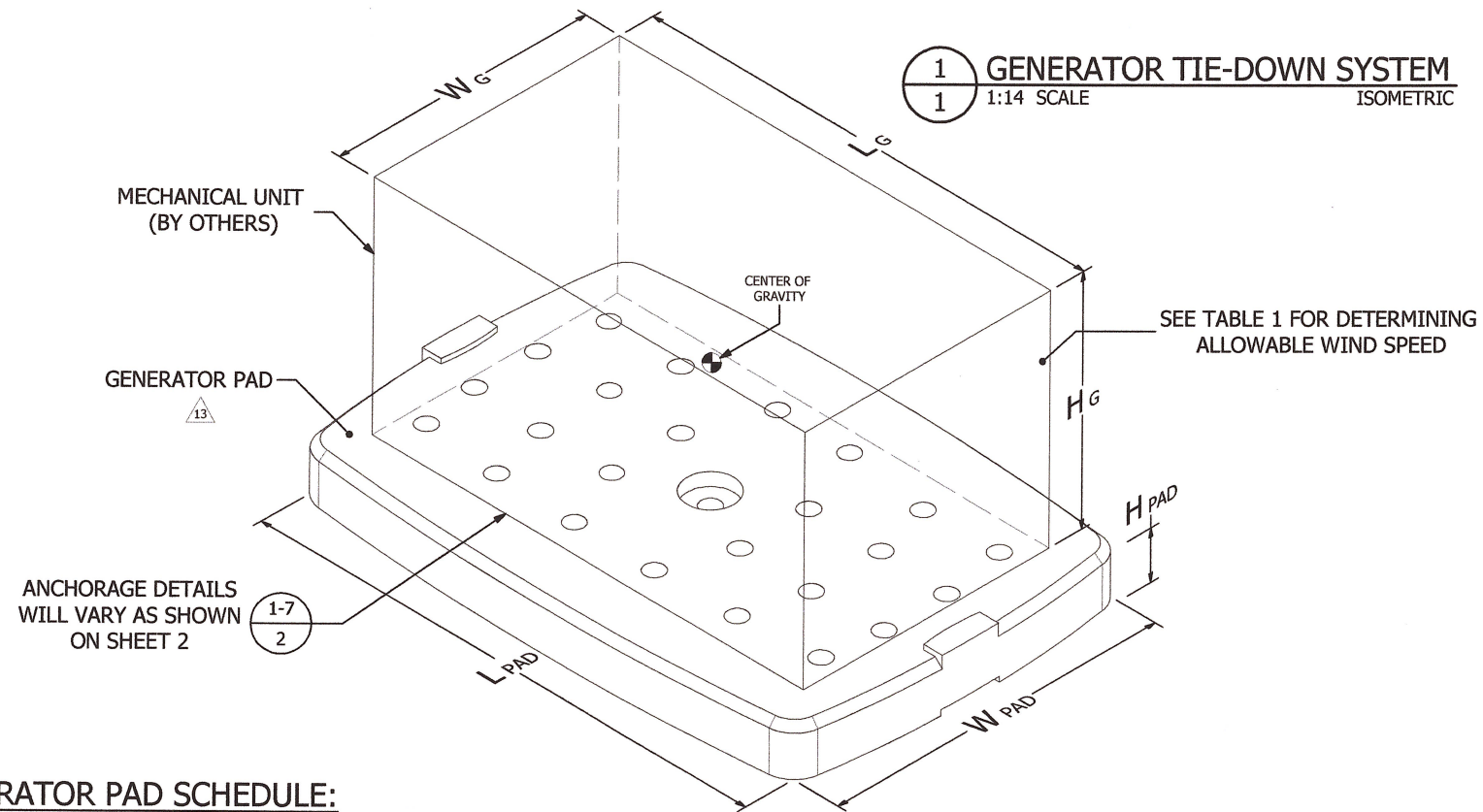


# MAINSTREAM ENGINEERING CORP.

## QWIKPAD® FOR GENERATORS

### GENERATOR TIE-DOWN SYSTEM FOR HIGH-VELOCITY HURRICANE-ZONE (HVHZ)



#### GENERATOR PAD SCHEDULE:

| QWIKPAD® GENERATOR PAD |                      |                  |                  |                  |                  |                   | GENERATOR          |                |  |                   |                |                |             |
|------------------------|----------------------|------------------|------------------|------------------|------------------|-------------------|--------------------|----------------|--|-------------------|----------------|----------------|-------------|
| PART NO.               | INSTALLED PAD WEIGHT | L <sub>PAD</sub> | W <sub>PAD</sub> | H <sub>PAD</sub> | RATED WIND SPEED | ULTIMATE PRESSURE | MAKE               | NOMINAL RATING | SEE DESIGN NOTE 6 MODEL NO.                                  | L <sub>G</sub>    | W <sub>G</sub> | H <sub>G</sub> | MIN. WEIGHT |
| -                      | LB                   | IN               | IN               | IN               | MPH              | PSF               | -                  | -              | -  | IN                | IN             | IN             | LB          |
| QT8200                 | 330                  | 56               | 38               | 5                | 180              | 66.2              | (UNIVERSAL-LEGACY) | -              | ALL LISTED MAKES/MODELS EXCEPT BRIGGS & STRATTON AND CUMMINS | SEE DESIGN NOTE 6 |                |                |             |
| QT8201                 | 330                  | 56               | 38               | 5                | 180              | 66.2              | (UNIVERSAL)        | -              | ALL LISTED MAKES/MODELS EXCEPT BRIGGS & STRATTON             | SEE DESIGN NOTE 6 |                |                |             |
| QT8210                 | 330                  | 56               | 38               | 5                | 180              | 66.2              | CUMMINS            | 13 kW          | C13N6H   | 34.1              | 36             | 27.3           | 479         |
| QT8215                 | 330                  | 56               | 38               | 5                | 180              | 66.2              |                    | 17 kW          | C17N6H   | 34.1              | 36             | 27.3           | 540         |
| QT8220                 | 330                  | 56               | 38               | 5                | 180              | 66.2              |                    | 20 kW          | C20N6H, C20N6HC  | 34.1              | 36             | 27.3           | 540         |
| QT8230                 | 330                  | 56               | 38               | 5                | 180              | 66.2              |                    | 17 kW          | 040459   | 47                | 31             | 31             | 484         |
| QT8240                 | 330                  | 56               | 38               | 5                | 180              | 66.2              | BRIGGS & STRATTON  | 20 kW          | 040336, 040547   | 46.5              | 26.8           | 28.4           | 500         |
|                        |                      |                  |                  |                  |                  |                   |                    | 17 kW          | 040661   | 46.5              | 26.8           | 28.4           | 520         |
|                        |                      |                  |                  |                  |                  |                   |                    | 20 kW          | 040662, 040657   | 46.5              | 26.8           | 28.4           | 520         |
|                        |                      |                  |                  |                  |                  |                   |                    | 26 kW          | 040658, 040664   | 46.5              | 26.8           | 28.4           | 540         |
|                        |                      |                  |                  |                  |                  |                   | GENERAC            | 20 kW          | 040574, 040592, 040573                                       | 49.2              | 31.7           | 30.6           | 443         |
|                        |                      |                  |                  |                  |                  |                   |                    | 9 kW           | G007029, G007030   |                   |                |                | 340         |
|                        |                      |                  |                  |                  |                  |                   |                    | 11 kW          | G007031, G007032, G007033                                    |                   |                |                | 348         |
|                        |                      |                  |                  |                  |                  |                   |                    | 16 kW          | G007035, G007036, G007037                                    |                   |                |                | 409         |
|                        |                      |                  |                  |                  |                  |                   | HONEYWELL          | 20 kW          | G007038, G007039   | 48                | 25.1           | 28.6           | 448         |
|                        |                      |                  |                  |                  |                  |                   |                    | 22 kW          | G007042, G007043   |                   |                |                | 466         |
|                        |                      |                  |                  |                  |                  |                   |                    | 24 kW          | G007209, G007210   |                   |                |                | 455         |
|                        |                      |                  |                  |                  |                  |                   |                    | 26 kW          | G007290, G007291   |                   |                |                | 518         |
|                        |                      |                  |                  |                  |                  |                   | KOHLER             | 16 kW          | G007059  |                   |                |                | 409         |
|                        |                      |                  |                  |                  |                  |                   |                    | 20 kW          | G007062  | 48                | 25.1           | 28.6           | 448         |
|                        |                      |                  |                  |                  |                  |                   |                    | 22 kW          | G007065  |                   |                |                | 466         |
|                        |                      |                  |                  |                  |                  |                   |                    | 14 kW          | 14RCA  | 47                | 26             | 32.3           | 440         |
|                        |                      |                  |                  |                  | 178 <sup>†</sup> | 64.8              |                    | 14 kW          | 14RESA   |                   |                |                | 420         |
|                        |                      |                  |                  |                  | 175 <sup>†</sup> | 63                |                    | 14 kW          | 14RCAL-200SELS   |                   |                |                | 490         |
|                        |                      |                  |                  |                  |                  |                   |                    | 14 kW          | 14RESAL  |                   |                |                | 467         |
|                        |                      |                  |                  |                  |                  |                   |                    | 20 kW          | 20RCA  |                   |                |                | 555         |
|                        |                      |                  |                  |                  | 180              | 66.2              |                    | 20 kW          | 20RCAL-200SELS   | 48                | 26.2           | 29             | 600         |
|                        |                      |                  |                  |                  |                  |                   |                    | 20 kW          | 20RESA, 20RESC   |                   |                |                | 535         |
|                        |                      |                  |                  |                  |                  |                   |                    | 20 kW          | 20RESAL, 20RESCL   |                   |                |                | 580         |
|                        |                      |                  |                  |                  |                  |                   |                    | 26 kW          | 26RCA  | 47                | 26             | 32.3           | 625         |
|                        |                      |                  |                  |                  |                  |                   |                    | 26 kW          | 26RCAL   |                   |                |                | 670         |

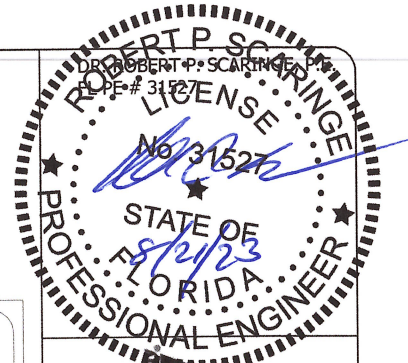
† 180 MPH WIND SPEED RATING ACHIEVED WITH USE OF QT8110 OR QT8111 ANCHOR KITS (FOR SOIL AND CONCRETE INSTALLATION SITES, RESPECTIVELY)

#### DESIGN NOTES:

- THIS PRODUCT HAS BEEN DESIGNED IN ACCORDANCE WITH ASCE 7-22 AND THE FLORIDA BUILDING CODE - EIGHTH EDITION (2023) FOR USE WITHIN AND OUTSIDE THE HIGH-VELOCITY HURRICANE ZONE (HVHZ).
- DESIGN CONSIDERS ASCE 7-22 SECTION 29.4 DESIGN WIND LOADS: OTHER STRUCTURES. ALL OTHER DESIGN VARIABLES AND LOADING FACTORS ARE IN ACCORDANCE WITH ASCE 7-22 CHAPTERS 26 & 29 FOR EXPOSURE CATEGORY C.
- PRODUCTS DETAILED HEREIN ARE INCLUDED WITH THE QWIKPAD® FOR GENERATORS (QT8200 SERIES) HVHZ GENERATOR MOUNTING PADS, UNLESS OTHERWISE SPECIFIED. APPROPRIATE PAD MODEL ASSUMED TO BE DETERMINED BY CONTRACTOR/INSTALLER BASED ON GENERATOR MAKE/MODEL.
- THIS INSTALLATION SPECIFICATION IS FOR INSTALLATION OF THE GIVEN GENERATOR MODELS ATOP ANY QWIKPAD® FOR GENERATORS (QT8200 SERIES), WITH THE PAD LEVELED AND LOCATED AT GRADE LEVEL ON COMPACTED GROUND OR ATOP EXISTING CONCRETE SLAB.
- INSTALLATIONS ATOP EXISTING CONCRETE SLAB WHERE VULT WIND SPEEDS EXCEED DESIGN CHECK IN TABLE 2 REQUIRE (1) ANCHOR INSTALLED WITH S.S. FENDER WASHER THROUGH CENTER HOLE TO PREVENT SLIDING.
- MODEL NUMBER LISTS IN GENERATOR PAD SCHEDULE AND WIND LOAD TABLES MAY NOT BE ALL INCLUSIVE. MODEL NUMBER VARIANTS MAY EXIST, OR MAY BE ADDED TO PRODUCT LINES, WHICH MEET WIND LOAD RATINGS. GENERATOR MODELS OTHER THAN THOSE LISTED HAVING EQUIVALENT, OR SMALLER, EXTERIOR DIMENSIONS (Lg, Wg, Hg), MATCHING ANCHORAGE PATTERNS, AND WEIGHT GREATER THAN OR EQUAL TO THOSE LISTED SHALL BE CONSIDERED TO MEET GIVEN VULT WIND SPEEDS. OTHERWISE, UNITS MUST BE CONSIDERED ON A CASE-BY-CASE BASIS.
- GENERATOR MOUNT BOLTS TO BE INSTALLED INTO MAKE/MODEL SPECIFIC ANCHORAGE POINTS PER THE DEPICTED CONFIGURATION VIEWS. PROPER BOLT LENGTH ASSUMED TO BE DETERMINED BY CONTRACTOR/INSTALLER BASED ON GENERATOR MAKE/MODEL AND MINIMUM THREAD ENGAGEMENT SPECIFIED HEREIN.
- DESIGN IS BASED ON INSPECTED PRODUCTS AND MANUFACTURING DRAWINGS PRODUCED BY MAINSTREAM ENGINEERING CORP. NO SUBSTITUTIONS WITHOUT WRITTEN APPROVAL BY THIS ENGINEER SHALL BE PERMITTED.
- BOLTS SHALL BE 18-8 STAINLESS STEEL PER ASTM F593 IN ACCORDANCE WITH ANSI B18.2.1 WITH UNC CLASS 2A THREADS (PER ASME B1.1).
- WASHERS SHALL BE 18-8 STAINLESS STEEL.
- THREADED INSERTS SHALL BE BRASS PER ASTM B16 WITH UNC CLASS 2B THREADS (PER ASME B1.1) AND SHALL HAVE A PULL-OUT STRENGTH GREATER THAN 250 LB.
- GENERATOR PAD SHALL BE LOW-DENSITY POLYETHYLENE (LDPE) WITH YIELD STRENGTH = 1.675 KSI OR BETTER PER ASTM D638 AND NOMINAL WALL THICKNESS = .220 (.1875 MIN.).
- GENERATOR PAD SHALL BE FILLED WITH WATER AT INSTALLATION SITE TO ACHIEVE INSTALLED WEIGHTS GIVEN IN THE GENERATOR PAD SCHEDULE. WEIGHT OF FILLED PAD IS 330 LB.

#### GENERAL NOTES:

- NO 33-1/3% INCREASE IN ALLOWABLE STRESS HAS BEEN USED IN THE DESIGN OF THIS SYSTEM.
- CENTER OF GRAVITY ASSUMED TO ACT AT GEOMETRIC CENTER OF UNIT.
- THE CONTRACTOR SHALL BE RESPONSIBLE TO INSULATE ALL MEMBERS FROM DISSIMILAR METALS TO PREVENT ELECTROLYSIS.
- ELECTRICAL GROUND, WHEN REQUIRED, SHALL BE DESIGNED AND INSTALLED BY OTHERS.
- THE SYSTEM DETAILED HEREIN IS GENERIC AND DOES NOT PROVIDE INFORMATION FOR A SPECIFIC SITE. FOR SITE CONDITIONS DIFFERENT FROM THE CONDITIONS DETAILED HEREIN, A LICENSED ENGINEER SHALL PREPARE SITE SPECIFIC DOCUMENTS IN CONJUNCTION WITH THIS DOCUMENT.
- FOR AN EXPLANATION OF RISK AND EXPOSURE CATEGORIES THAT ACCOMPANY THE VULT WIND SPEEDS USED IN THIS APPROVAL, SEE SECTIONS 1.5.1 AND 26.7.3, RESPECTIVELY, OF ASCE 7-22. VULT WIND SPEEDS FOR RISK CATEGORY II DETERMINED BY FIGURE 26.5-1B OF ASCE 7-22.
- GENERATOR WEIGHTS AND DIMENSIONS PER MANUFACTURER DOCUMENTATION, TO BE VERIFIED BY OTHERS.
- ALL DIMENSIONS SHOWN ARE REFERENCE AND IN INCHES, UNLESS OTHERWISE SPECIFIED.



Solutions Through Advanced Technology  
**MAINSTREAM ENGINEERING**  
200 YELLOW PLACE  
ROCKLEDGE, FL 32955  
PH: (321) 631-3550  
WWW.MAINSTREAM-ENGR.COM

**QWIKPAD® FOR GENERATORS**  
GENERATOR TIE-DOWN SYSTEM FOR HVHZ  
FBC 8TH EDITION (2023) PRODUCT APPROVAL  
**FL# 27646.1**

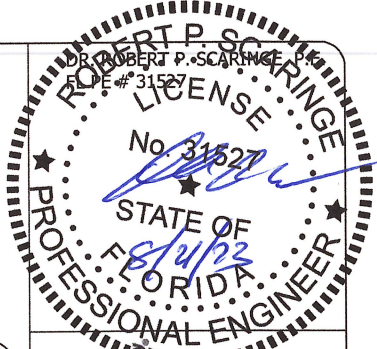
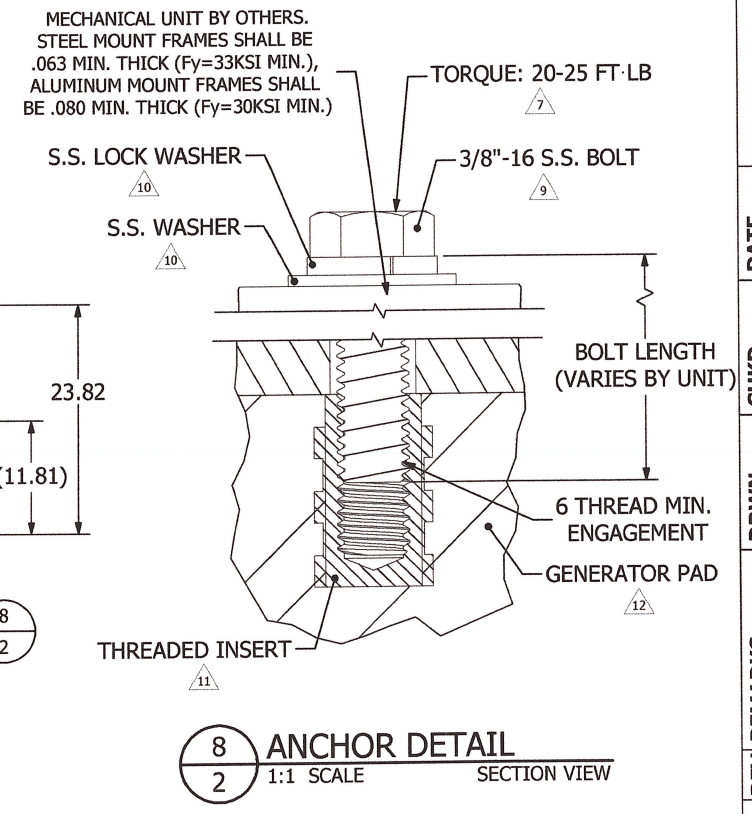
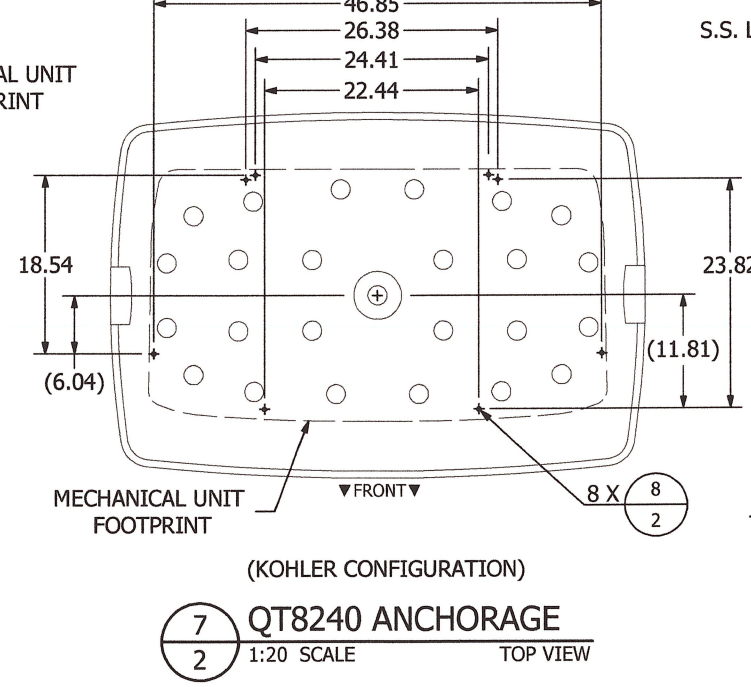
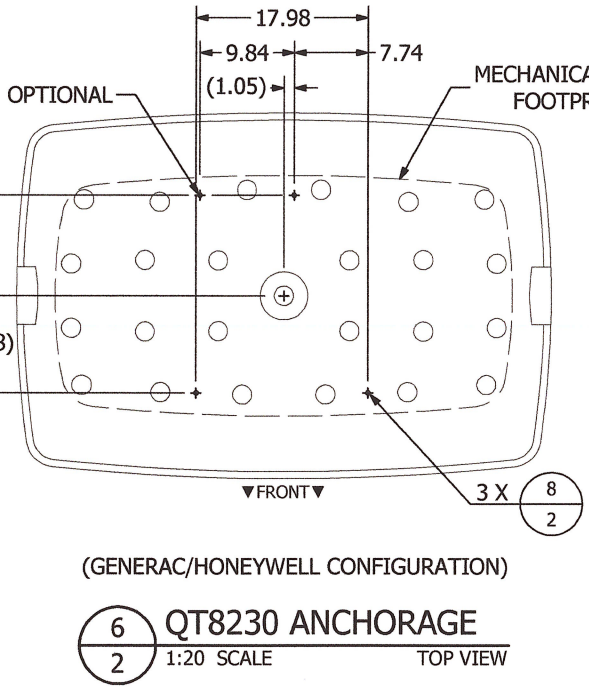
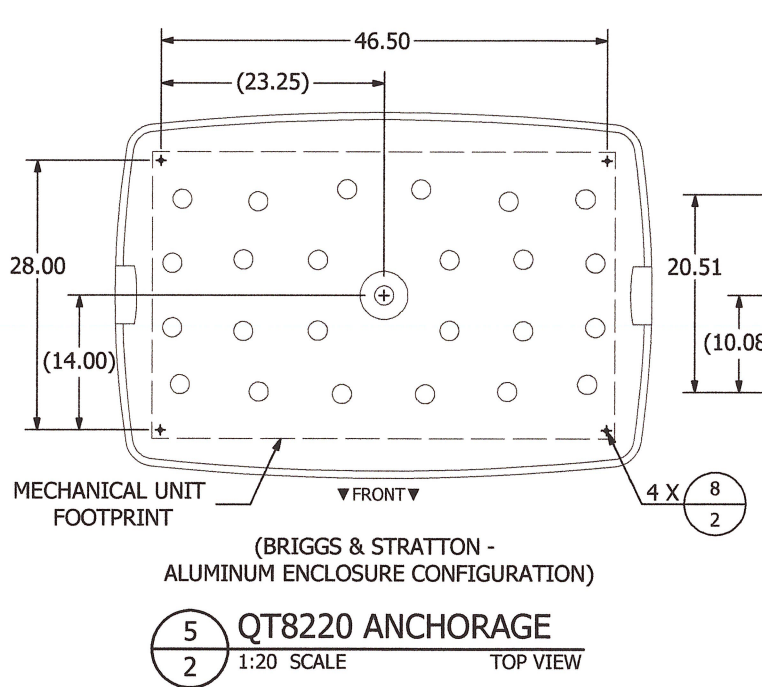
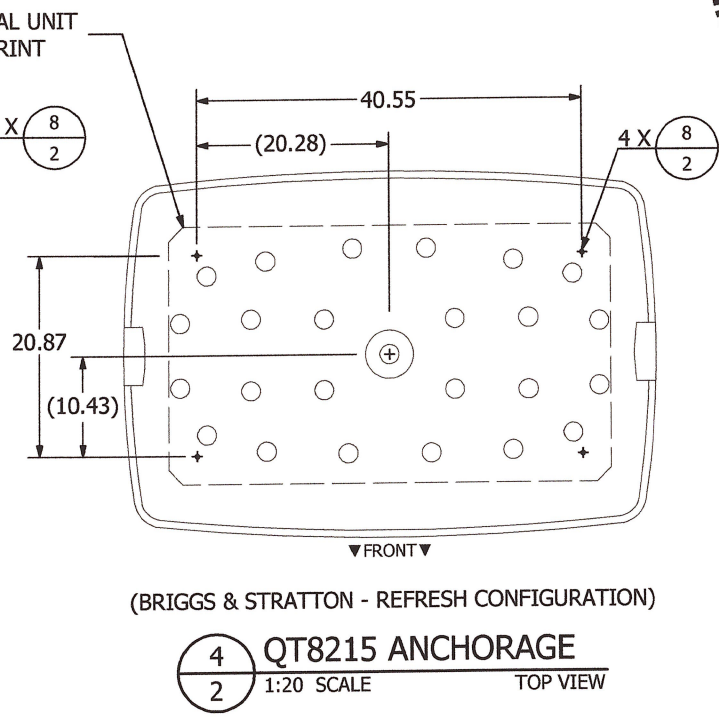
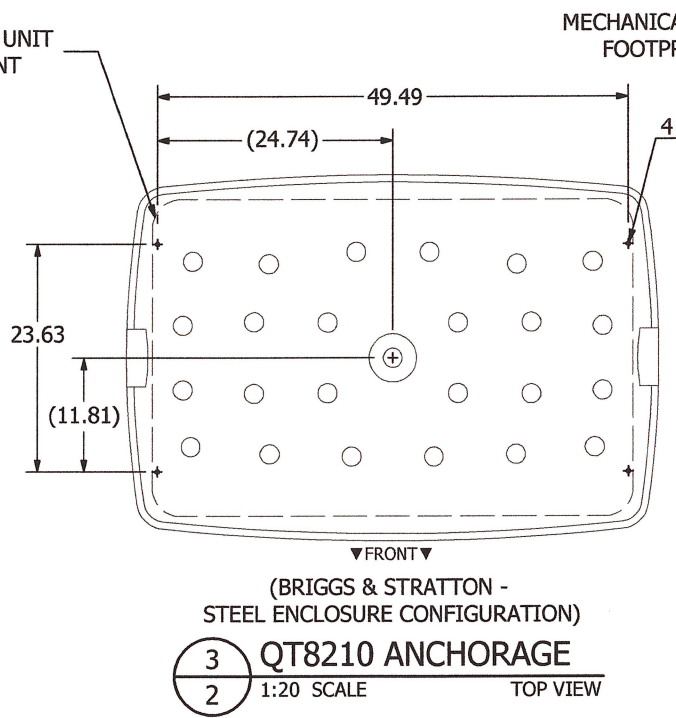
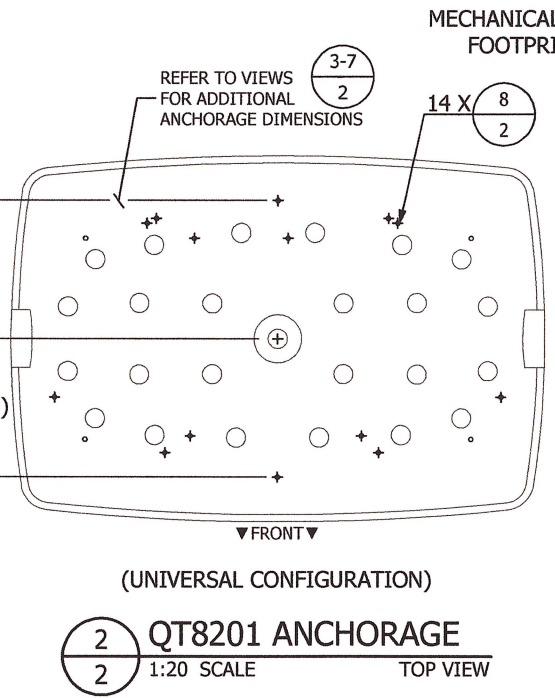
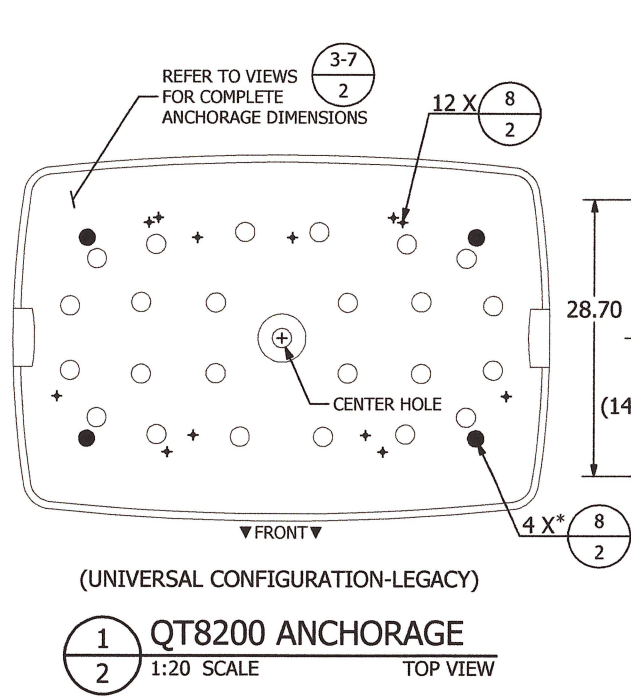
| REV | REMARKS  | DRWN       | CHKD         | DATE       |
|-----|--|------------|--------------|------------|
| E   | ADD QT8210, QT8220, & 24 kW GENERAC TO 20 kW 76 KW BRIGGS & STRATTON QT8215  | B. WOODS   | A. CARPENTER | 07/21/2021 |
| F   | ADD 26 kW GENERAC MODEL  | R. SIMMONS | A. CARPENTER | 12/15/2021 |
| G   | REGISTERED TRADE MARK, ADD CUMMINS MODELS, ADD QT8201L ADD BRG, GENERAC, MODELS UPDATE FOR FBC 8TH EDITION AND ASCE 7-22 | R. SIMMONS | A. CARPENTER | 01/31/2022 |
| H   |  | R. SIMMONS | A. CARPENTER | 05/17/2022 |
| I   |  | B. WOODS   | A. CARPENTER | 02/16/2023 |
| J   |  | T. ABBOTT  | A. CARPENTER | 08/17/2023 |

NOTICE: THIS DOCUMENT IS THE PROPERTY OF MAINSTREAM ENGINEERING CORPORATION AND SHALL NOT BE REPRODUCED IN WHOLE OR PART WITHOUT WRITTEN CONSENT OF MAINSTREAM ENGINEERING CORPORATION. ALTERATIONS, ADDITIONS, HIGHLIGHTING, OR OTHER MARKINGS TO THIS DOCUMENT ARE NOT PERMITTED AND INVALIDATE THIS CERTIFICATION.

**QT8200** SERIES  
DWG NO. 5010794 REV J  
SHEET 1 OF 4



**ANCHORAGE DETAILS FOR QT8200-SERIES GENERATOR PADS:**



**MAINSTREAM ENGINEERING**  
Solutions Through Advanced Technology

200 YELLOW PLACE  
ROCKLEDGE, FL 32955  
PH: (321) 631-3550  
WWW.MAINSTREAM-ENGR.COM

**QWIKPAD® FOR GENERATORS**  
GENERATOR TIE-DOWN SYSTEM FOR HVHZ

FBC 8TH EDITION (2023) PRODUCT APPROVAL  
**FL# 27646.1**

| REV | REMARKS   | DRWN       | CHKD         | DATE       |
|-----|---|------------|--------------|------------|
| E   | ADD QT8210, QT8220, & 24 KW GENERAC                 | B. WOODS   | A. CARPENTER | 07/21/2021 |
| F   | ADD 17 KW, 20 KW, 26 KW BRIGGS & STRATTON QT8215    | R. SIMMONS | A. CARPENTER | 12/15/2021 |
| G   | ADD 26 KW GENERAC MODEL REGISTERED TRADE MARK       | R. SIMMONS | A. CARPENTER | 01/31/2022 |
| H   | ADD BBS, GENERAC, KOHLER CUMMINS MODELS, ADD QT8201 | R. SIMMONS | A. CARPENTER | 05/17/2022 |
| I   | ADD BBS, GENERAC, KOHLER MODELS TO WIND LOAD TABLES | B. WOODS   | A. CARPENTER | 02/16/2023 |
| J   | UPDATE FBC 8TH EDITION AND PAGE 7-2                 | T. ABBOTT  | A. CARPENTER | 08/17/2023 |

NOTICE: THIS DOCUMENT IS THE PROPERTY OF MAINSTREAM ENGINEERING CORPORATION AND SHALL NOT BE REPRODUCED IN WHOLE OR PART WITHOUT WRITTEN CONSENT OF MAINSTREAM ENGINEERING CORPORATION. ALTERATIONS, ADDITIONS, HIGHLIGHTING, OR OTHER MARKINGS TO THIS DOCUMENT ARE NOT PERMITTED AND INVALIDATE THIS CERTIFICATION.

**QT8200** SERIES

DWG NO. 5010794 REV J

SHEET 2 OF 4

\* QT8200 UNIVERSAL CONFIGURATION LEGACY MAY INCLUDE 12 (STANDARD) OR 16 (ALTERNATE) ANCHORAGE LOCATIONS



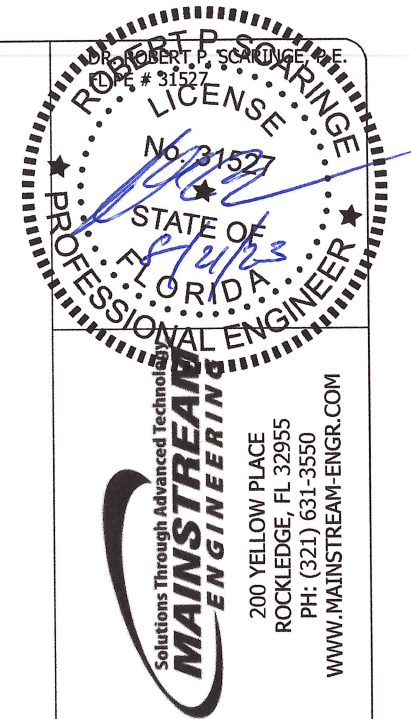
**WIND LOAD CALCULATIONS FOR QT8200-SERIES GENERATOR PADS:**

APPROPRIATE PAD MODEL DETERMINED USING PAD SCHEDULE ON SHEET 1

**TABLE 1. WIND LOAD OVERTURN DESIGN CHECK FOR QT8200-SERIES GENERATOR PADS FOR USE WITH RISK CATEGORY II STRUCTURE (EXPOSURE 'C') IN THE HVHZ.**

| MAKE              | GENERATOR         |                           |                      |                      |                      |              | .6XDEAD LOAD<br>(UNIT + PAD)<br>LB | DEAD LOAD<br>MOMENT<br>FT-LB | F <sub>WIND, PAD</sub><br>LB | F <sub>WIND, UNIT</sub><br>LB | F <sub>WIND, TOT</sub><br>LB | ULTIMATE<br>PRESSURE<br>PSF | WIND SPEED<br>MPH | DESIGN CHECK<br>(NO ANCHORS) | DESIGN CHECK<br>(1 ANCHOR) ‡ |
|-------------------|-------------------|---------------------------|----------------------|----------------------|----------------------|--------------|------------------------------------|------------------------------|------------------------------|-------------------------------|------------------------------|-----------------------------|-------------------|------------------------------|------------------------------|
|                   | NOMINAL<br>RATING | MODEL NO.                 | DIMENSIONS           |                      |                      | WEIGHT<br>LB |                                    |                              |                              |                               |                              |                             |                   |                              |                              |
|                   |                   |                           | L <sub>G</sub><br>IN | W <sub>G</sub><br>IN | H <sub>G</sub><br>IN |              |                                    |                              |                              |                               |                              |                             |                   |                              |                              |
| -                 | -                 | -                         | IN                   | IN                   | IN                   | LB           | LB                                 | FT-LB                        | LB                           | LB                            | LB                           | PSF                         | MPH               | -                            | -                            |
| CUMMINS           | 13 kW             | C13N6H                    | 34.1                 | 36                   | 27.3                 | 479          | 485.4                              | 768.6                        | 67.2                         | 235.7                         | 302.9                        | 117.7                       | 240.0             | OK FOR 180 MPH               | OK FOR 180 MPH               |
|                   | 17 kW             | C17N6H                    | 34.1                 | 36                   | 27.3                 | 540          | 522.0                              | 826.5                        | 67.2                         | 235.7                         | 302.9                        | 126.6                       | 248.9             | OK FOR 180 MPH               | OK FOR 180 MPH               |
|                   | 20 kW             | C20N6H, C20N6HC           | 34.1                 | 36                   | 27.3                 | 540          | 522.0                              | 826.5                        | 67.2                         | 235.7                         | 302.9                        | 126.6                       | 248.9             | OK FOR 180 MPH               | OK FOR 180 MPH               |
| BRIGGS & STRATTON | 17 kW             | 040459                    | 47                   | 31                   | 31                   | 484          | 488.4                              | 773.3                        | 67.2                         | 349.5                         | 416.6                        | 73.4                        | 189.5             | OK FOR 180 MPH               | OK FOR 180 MPH               |
|                   | 20 kW             | 040336, 040547            | 47                   | 31                   | 31                   | 500          | 498.0                              | 788.5                        | 67.2                         | 349.5                         | 416.6                        | 74.8                        | 191.4             | OK FOR 180 MPH               | OK FOR 180 MPH               |
|                   | 17 kW             | 040661                    | 46.5                 | 26.8                 | 27.8                 | 520          | 510.0                              | 807.5                        | 67.2                         | 310.1                         | 377.2                        | 93.4                        | 213.7             | OK FOR 180 MPH               | OK FOR 180 MPH               |
|                   | 20 kW             | 040662, 040657            | 46.5                 | 26.8                 | 27.8                 | 520          | 510.0                              | 807.5                        | 67.2                         | 310.1                         | 377.2                        | 93.4                        | 213.7             | OK FOR 180 MPH               | OK FOR 180 MPH               |
|                   | 26 kW             | 040658, 040664            | 46.5                 | 26.8                 | 27.8                 | 540          | 522.0                              | 826.5                        | 67.2                         | 310.1                         | 377.2                        | 95.6                        | 216.2             | OK FOR 180 MPH               | OK FOR 180 MPH               |
|                   | 20 kW             | 040574, 040592, 040573    | 49.2                 | 31.7                 | 30.6                 | 443          | 463.8                              | 734.4                        | 67.2                         | 361.1                         | 428.3                        | 68.1                        | 182.6             | OK FOR 180 MPH               | OK FOR 180 MPH               |
|                   | 9 kW              | G007029, G007030          | 48                   | 25.1                 | 28.6                 | 340          | 402.0                              | 636.5                        | 67.2                         | 329.3                         | 396.4                        | 68.0                        | 182.4             | OK FOR 180 MPH               | OK FOR 180 MPH               |
| GENERAC           | 11 kW             | G007031, G007032, G007033 | 48                   | 25.1                 | 28.6                 | 348          | 406.8                              | 644.1                        | 67.2                         | 329.3                         | 396.4                        | 68.8                        | 183.4             | OK FOR 180 MPH               | OK FOR 180 MPH               |
|                   | 16 kW             | G007035, G007036, G007037 | 48                   | 25.1                 | 28.6                 | 409          | 443.4                              | 702.1                        | 67.2                         | 329.3                         | 396.4                        | 75.0                        | 191.5             | OK FOR 180 MPH               | OK FOR 180 MPH               |
|                   | 20 kW             | G007038, G007039          | 48                   | 25.1                 | 28.6                 | 448          | 466.8                              | 739.1                        | 67.2                         | 329.3                         | 396.4                        | 78.9                        | 196.5             | OK FOR 180 MPH               | OK FOR 180 MPH               |
|                   | 22 kW             | G007042, G007043          | 48                   | 25.1                 | 28.6                 | 466          | 477.6                              | 756.2                        | 67.2                         | 329.3                         | 396.4                        | 80.8                        | 198.8             | OK FOR 180 MPH               | OK FOR 180 MPH               |
|                   | 24 kW             | G007209, G007210          | 48                   | 25.1                 | 28.6                 | 455          | 471.0                              | 745.8                        | 67.2                         | 329.3                         | 396.4                        | 79.6                        | 197.4             | OK FOR 180 MPH               | OK FOR 180 MPH               |
|                   | 26 kW             | G007290, G007291          | 48                   | 25.1                 | 28.6                 | 518          | 508.8                              | 805.6                        | 67.2                         | 329.3                         | 396.4                        | 86.0                        | 205.2             | OK FOR 180 MPH               | OK FOR 180 MPH               |
| HONEYWELL         | 16 kW             | G007059                   | 48                   | 25.1                 | 28.6                 | 409          | 443.4                              | 702.1                        | 67.2                         | 329.3                         | 396.4                        | 75.0                        | 191.5             | OK FOR 180 MPH               | OK FOR 180 MPH               |
|                   | 20 kW             | G007062                   | 48                   | 25.1                 | 28.6                 | 448          | 466.8                              | 739.1                        | 67.2                         | 329.3                         | 396.4                        | 78.9                        | 196.5             | OK FOR 180 MPH               | OK FOR 180 MPH               |
|                   | 22 kW             | G007065                   | 48                   | 25.1                 | 28.6                 | 466          | 477.6                              | 756.2                        | 67.2                         | 329.3                         | 396.4                        | 80.8                        | 198.8             | OK FOR 180 MPH               | OK FOR 180 MPH               |
| KOHLER            | 14 kW             | 14RCA                     | 47                   | 26                   | 32.3                 | 440          | 462.0                              | 731.5                        | 67.2                         | 364.1                         | 431.3                        | 64.7                        | 177.9             | UP TO 177 MPH                | OK FOR 180 MPH               |
|                   | 14 kW             | 14RCAL-200SELS            | 47                   | 26                   | 32.3                 | 490          | 492.0                              | 779.0                        | 67.2                         | 364.1                         | 431.3                        | 68.9                        | 183.5             | OK FOR 180 MPH               | OK FOR 180 MPH               |
|                   | 14 kW             | 14RESA                    | 47                   | 26                   | 32.3                 | 420          | 450.0                              | 712.5                        | 67.2                         | 364.1                         | 431.3                        | 63.0                        | 175.5             | UP TO 175 MPH                | OK FOR 180 MPH               |
|                   | 14 kW             | 14RESAL                   | 47                   | 26                   | 32.3                 | 467          | 478.2                              | 757.2                        | 67.2                         | 364.1                         | 431.3                        | 66.9                        | 181.0             | OK FOR 180 MPH               | OK FOR 180 MPH               |
|                   | 20 kW             | 20RCA                     | 48                   | 26.2                 | 29                   | 555          | 531.0                              | 840.8                        | 67.2                         | 333.9                         | 401.1                        | 87.7                        | 207.1             | OK FOR 180 MPH               | OK FOR 180 MPH               |
|                   | 20 kW             | 20RCAL-200SELS            | 48                   | 26.2                 | 29                   | 600          | 558.0                              | 883.5                        | 67.2                         | 333.9                         | 401.1                        | 92.1                        | 212.3             | OK FOR 180 MPH               | OK FOR 180 MPH               |
|                   | 20 kW             | 20RESA, 20RESC            | 48                   | 26.2                 | 29                   | 535          | 519.0                              | 821.8                        | 67.2                         | 333.9                         | 401.1                        | 85.7                        | 204.8             | OK FOR 180 MPH               | OK FOR 180 MPH               |
|                   | 20 kW             | 20RESAL, 20 RESCL         | 48                   | 26.2                 | 29                   | 580          | 546.0                              | 864.5                        | 67.2                         | 333.9                         | 401.1                        | 90.1                        | 210.0             | OK FOR 180 MPH               | OK FOR 180 MPH               |
|                   | 26 kW             | Kohler 26 RCA             | 47                   | 26                   | 32.3                 | 625          | 573.0                              | 907.3                        | 67.2                         | 364.1                         | 431.3                        | 80.2                        | 198.1             | OK FOR 180 MPH               | OK FOR 180 MPH               |
|                   | 26 kW             | Kohler 26 RCAL            | 47                   | 26                   | 32.3                 | 670          | 600.0                              | 950.0                        | 67.2                         | 364.1                         | 431.3                        | 84.0                        | 202.7             | OK FOR 180 MPH               | OK FOR 180 MPH               |

‡ ANCHOR MUST HAVE A MIN. PULL OUT RATING OF 24 LBS TO PREVENT OVERTURN FOR VULT WIND SPEEDS UP TO 180 MPH IF 'DESIGN CHECK (NO ANCHORS)' IS BELOW 180 MPH.



**MAINSTREAM ENGINEERING**  
Solutions Through Advanced Technology  
200 YELLOW PLACE  
ROCKLEDGE, FL 32955  
PH: (321) 631-3550  
WWW.MAINSTREAM-ENGR.COM

**QWIKPAD® FOR GENERATORS**  
GENERATOR TIE-DOWN SYSTEM FOR HVHZ  
FBC 8TH EDITION (2023) PRODUCT APPROVAL  
**FL# 27646.1**

| REV | REMARKS   | DRWN       | CHKD         | DATE       |
|-----|---|------------|--------------|------------|
| E   | ADD QT8200, QT8200, & 24 KW GENERAC                 | B. WOODS   | A. CARPENTER | 07/21/2021 |
| F   | ADD 17 KW, 20 KW, 26 KW BRIGGS & STRATTON QT8215    | R. SIMMONS | A. CARPENTER | 12/15/2021 |
| G   | ADD 26 KW GENERAC MODEL                             | R. SIMMONS | A. CARPENTER | 01/31/2022 |
| H   | REGISTERED MARK, ADD CUMMINS MODELS, ADD QT8201     | R. SIMMONS | A. CARPENTER | 05/17/2022 |
| I   | ADD BBS, GENERAC, KOHLER MODELS TO WIND LOAD TABLES | B. WOODS   | A. CARPENTER | 02/16/2023 |
| J   | UPDATE FOR FBC 8TH EDITION AND ASCE 7-22            | T. ABBOTT  | A. CARPENTER | 08/17/2023 |

NOTICE: THIS DOCUMENT IS THE PROPERTY OF MAINSTREAM ENGINEERING CORPORATION AND SHALL NOT BE REPRODUCED IN WHOLE OR PART WITHOUT WRITTEN CONSENT OF MAINSTREAM ENGINEERING CORPORATION. ALTERATIONS, ADDITIONS, HIGHLIGHTING, OR OTHER MARKINGS TO THIS DOCUMENT ARE NOT PERMITTED AND INVALIDATE THIS CERTIFICATION.

**QT8200** SERIES

DWG NO. 5010794 REV J

SHEET 3 OF 4



**WIND LOAD CALCULATIONS FOR QT8200-SERIES GENERATOR PADS:**

APPROPRIATE PAD MODEL DETERMINED USING PAD SCHEDULE ON SHEET 1

**TABLE 2. WIND LOAD SLIDING DESIGN CHECK FOR QT8200-SERIES GENERATOR PADS INSTALLED ATOP EXISTING CONCRETE SLAB FOR USE WITH RISK CATEGORY II STRUCTURE (EXPOSURE 'C') IN THE HVHZ.**

| MAKE              | NOMINAL RATING | GENERATOR MODEL NO.       | DIMENSIONS     |                |                |        | WEIGHT<br>LB | NORMAL FORCE<br>LB | STATIC FRICTION<br>( $\mu_s = 0.6$ )<br>LB | F <sub>WIND, PAD</sub><br>LB | F <sub>WIND, UNIT</sub><br>LB | F <sub>WIND, TOT</sub><br>LB | ULTIMATE PRESSURE<br>PSF | WIND SPEED<br>MPH | DESIGN CHECK<br>(NO ANCHORS) | DESIGN CHECK<br>(1 ANCHOR) † |
|-------------------|----------------|---------------------------|----------------|----------------|----------------|--------|--------------|--------------------|--|------------------------------|-------------------------------|------------------------------|--------------------------|-------------------|------------------------------|------------------------------|
|                   |                |                           | L <sub>G</sub> | W <sub>G</sub> | H <sub>G</sub> |        |              |                    |  |                              |                               |                              |                          |                   |                              |                              |
|                   |                |                           | IN             | IN             | IN             |        |              |                    |  |                              |                               |                              |                          |                   |                              |                              |
| CUMMINS           | 13 kW          | C13N6H                    | 34.1           | 36             | 27.3           | 479    | 809.0        | 485.4              | 107.6                                      | 377.8                        | 485.4                         | 55.4                         | 164.6                    | UP TO 164 MPH     | OK FOR 180 MPH               |                              |
|                   | 17 kW          | C17N6H                    | 34.1           | 36             | 27.3           | 540    | 870.0        | 522.0              | 115.7                                      | 406.3                        | 522.0                         | 59.5                         | 170.7                    | UP TO 170 MPH     | OK FOR 180 MPH               |                              |
|                   | 20 kW          | C20N6H, C20N6HC           | 34.1           | 36             | 27.3           | 540    | 870.0        | 522.0              | 115.7                                      | 406.3                        | 522.0                         | 59.5                         | 170.7                    | UP TO 170 MPH     | OK FOR 180 MPH               |                              |
| BRIGGS & STRATTON | 17 kW          | 040459                    | 47             | 31             | 31             | 484    | 814.0        | 488.4              | 78.7                                       | 409.7                        | 488.4                         | 40.5                         | 140.8                    | UP TO 140 MPH     | OK FOR 180 MPH               |                              |
|                   | 20 kW          | 040336, 040547            | 47             | 31             | 31             | 500    | 830.0        | 498.0              | 80.3                                       | 417.7                        | 498.0                         | 41.3                         | 142.1                    | UP TO 142 MPH     | OK FOR 180 MPH               |                              |
|                   | 17 kW          | 040661                    | 46.5           | 26.8           | 27.8           | 520    | 850.0        | 510.0              | 90.8                                       | 419.2                        | 510.0                         | 46.7                         | 151.2                    | UP TO 151 MPH     | OK FOR 180 MPH               |                              |
|                   | 20 kW          | 040662, 040657            | 46.5           | 26.8           | 27.8           | 520    | 850.0        | 510.0              | 90.8                                       | 419.2                        | 510.0                         | 46.7                         | 151.2                    | UP TO 151 MPH     | OK FOR 180 MPH               |                              |
|                   | 26 kW          | 040658, 040664            | 46.5           | 26.8           | 27.8           | 540    | 870.0        | 522.0              | 92.9                                       | 429.1                        | 522.0                         | 47.8                         | 152.9                    | UP TO 152 MPH     | OK FOR 180 MPH               |                              |
|                   | 20 kW          | 040574, 040592, 040573    | 49.2           | 31.7           | 30.6           | 443    | 773.0        | 463.8              | 72.7                                       | 391.1                        | 463.8                         | 37.4                         | 135.3                    | UP TO 135 MPH     | OK FOR 180 MPH               |                              |
| GENERAC           | 9 kW           | G007029, G007030          | 48             | 25.1           | 28.6           | 340    | 670.0        | 402.0              | 68.1                                       | 333.9                        | 402.0                         | 35.0                         | 130.9                    | UP TO 130 MPH     | OK FOR 180 MPH               |                              |
|                   | 11 kW          | G007031, G007032, G007033 | 48             | 25.1           | 28.6           | 348    | 678.0        | 406.8              | 68.9                                       | 337.9                        | 406.8                         | 35.4                         | 131.7                    | UP TO 131 MPH     | OK FOR 180 MPH               |                              |
|                   | 16 kW          | G007035, G007036, G007037 | 48             | 25.1           | 28.6           | 409    | 739.0        | 443.4              | 75.1                                       | 368.3                        | 443.4                         | 38.6                         | 137.5                    | UP TO 137 MPH     | OK FOR 180 MPH               |                              |
|                   | 20 kW          | G007038, G007039          | 48             | 25.1           | 28.6           | 448    | 778.0        | 466.8              | 79.1                                       | 387.7                        | 466.8                         | 40.7                         | 141.1                    | UP TO 141 MPH     | OK FOR 180 MPH               |                              |
|                   | 22 kW          | G007042, G007043          | 48             | 25.1           | 28.6           | 466    | 796.0        | 477.6              | 80.9                                       | 396.7                        | 477.6                         | 41.6                         | 142.7                    | UP TO 142 MPH     | OK FOR 180 MPH               |                              |
|                   | 24 kW          | G007209, G007210          | 48             | 25.1           | 28.6           | 455    | 785.0        | 471.0              | 79.8                                       | 391.2                        | 471.0                         | 41.0                         | 141.7                    | UP TO 141 MPH     | OK FOR 180 MPH               |                              |
| HONEYWELL         | 26 kW          | G007290, G007291          | 48             | 25.1           | 28.6           | 518    | 848.0        | 508.8              | 86.2                                       | 422.6                        | 508.8                         | 44.3                         | 147.3                    | UP TO 147 MPH     | OK FOR 180 MPH               |                              |
|                   | 16 kW          | G007059                   | 48             | 25.1           | 28.6           | 409    | 739.0        | 443.4              | 75.1                                       | 368.3                        | 443.4                         | 38.6                         | 137.5                    | UP TO 137 MPH     | OK FOR 180 MPH               |                              |
|                   | 20 kW          | G007062                   | 48             | 25.1           | 28.6           | 448    | 778.0        | 466.8              | 79.1                                       | 387.7                        | 466.8                         | 40.7                         | 141.1                    | UP TO 141 MPH     | OK FOR 180 MPH               |                              |
| KOHLER            | 22 kW          | G007065                   | 48             | 25.1           | 28.6           | 466    | 796.0        | 477.6              | 80.9                                       | 396.7                        | 477.6                         | 41.6                         | 142.7                    | UP TO 142 MPH     | OK FOR 180 MPH               |                              |
|                   | 14 kW          | 14RCA                     | 47             | 26             | 32.3           | 440    | 770.0        | 462.0              | 71.9                                       | 390.1                        | 462.0                         | 37.0                         | 134.5                    | UP TO 134 MPH     | OK FOR 180 MPH               |                              |
|                   | 14 kW          | 14RCAL-200SELS            | 47             | 26             | 32.3           | 490    | 820.0        | 492.0              | 76.6                                       | 415.4                        | 492.0                         | 39.4                         | 138.8                    | UP TO 138 MPH     | OK FOR 180 MPH               |                              |
|                   | 14 kW          | 14RESA                    | 47             | 26             | 32.3           | 420    | 750.0        | 450.0              | 70.1                                       | 379.9                        | 450.0                         | 36.0                         | 132.8                    | UP TO 132 MPH     | OK FOR 180 MPH               |                              |
|                   | 14 kW          | 14RESAL                   | 47             | 26             | 32.3           | 467    | 797.0        | 478.2              | 74.5                                       | 403.7                        | 478.2                         | 38.3                         | 136.9                    | UP TO 136 MPH     | OK FOR 180 MPH               |                              |
|                   | 20 kW          | 20RCA                     | 48             | 26.2           | 29             | 555    | 885.0        | 531.0              | 88.9                                       | 442.1                        | 531.0                         | 45.7                         | 149.6                    | UP TO 149 MPH     | OK FOR 180 MPH               |                              |
|                   | 20 kW          | 20RCAL-200SELS            | 48             | 26.2           | 29             | 600    | 930.0        | 558.0              | 93.4                                       | 464.6                        | 558.0                         | 48.1                         | 153.3                    | UP TO 153 MPH     | OK FOR 180 MPH               |                              |
|                   | 20 kW          | 20RESA, 20RESC            | 48             | 26.2           | 29             | 535    | 865.0        | 519.0              | 86.9                                       | 432.1                        | 519.0                         | 44.7                         | 147.9                    | UP TO 147 MPH     | OK FOR 180 MPH               |                              |
|                   | 20 kW          | 20RESAL, 20 RESCL         | 48             | 26.2           | 29             | 580    | 910.0        | 546.0              | 91.4                                       | 454.6                        | 546.0                         | 47.0                         | 151.7                    | UP TO 151 MPH     | OK FOR 180 MPH               |                              |
|                   | 26 kW          | Kohler 26 RCA             | 47             | 26             | 32.3           | 625    | 955.0        | 573.0              | 89.2                                       | 483.8                        | 573.0                         | 45.9                         | 149.8                    | UP TO 149 MPH     | OK FOR 180 MPH               |                              |
| 26 kW             | Kohler 26 RCAL | 47                        | 26             | 32.3           | 670            | 1000.0 | 600.0        | 93.4               | 506.6                                      | 600.0                        | 48.1                          | 153.3                        | UP TO 153 MPH            | OK FOR 180 MPH    |                              |                              |

† FOR VULT WIND SPEEDS ABOVE THE 'DESIGN CHECK (NO ANCHORS)' WIND SPEED, (1) Ø1/4" X 5" ITW TAPCON CONCRETE SCREW (1.25" MIN. EMBEDMENT IN 3000 PSI MIN. CONCRETE AT 3.0" MIN. EDGE DISTANCE) INSTALLED WITH S.S. FENDER WASHER (13 GA MIN.) REQUIRED TO PREVENT SLIDING ON CONCRETE UP TO VULT WIND SPEEDS OF 180 MPH.



**MAINSTREAM ENGINEERING**  
Solutions Through Advanced Technology  
200 YELLOW PLACE  
ROCKLEDGE, FL 32955  
PH: (321) 631-3550  
WWW.MAINSTREAM-ENGR.COM

**QWIKPAD® FOR GENERATORS**  
GENERATOR TIE-DOWN SYSTEM FOR HVHZ  
FBC 8TH EDITION (2023) PRODUCT APPROVAL  
**FL# 27646.1**

| REV | REMARKS  | DRWN       | CHKD         | DATE       |
|-----|--|------------|--------------|------------|
| E   | ADD QTR210, QTR220, & 24 kW GENERAC.                   | B. WOODS   | A. CARPENTER | 07/21/2021 |
| F   | ADD 17 kW, 20 kW, 26 kW BRIGGS & STRATTON QTR215       | R. SIMMONS | A. CARPENTER | 12/15/2021 |
| G   | ADD 26 kW GENERAC MODEL CUMMINS MODELS, ADD QTR201     | R. SIMMONS | A. CARPENTER | 01/31/2022 |
| H   | REGISTERED MARK, ADD QTR201 CUMMINS MODELS, ADD QTR201 | R. SIMMONS | A. CARPENTER | 05/17/2022 |
| I   | ADD BBS, GENERAC, KOHLER MODELS TO WIND LOAD TABLES    | B. WOODS   | A. CARPENTER | 02/16/2023 |
| J   | UPDATE FOR FBC 8TH EDITION AND ASCE 7-22               | T. ABBOTT  | A. CARPENTER | 08/17/2023 |

**QT8200** SERIES  
DWG NO. 5010794 | REV J  
SHEET 4 OF 4

NOTICE: THIS DOCUMENT IS THE PROPERTY OF MAINSTREAM ENGINEERING CORPORATION AND SHALL NOT BE REPRODUCED IN WHOLE OR PART WITHOUT WRITTEN CONSENT OF MAINSTREAM ENGINEERING CORPORATION. ALTERATIONS, ADDITIONS, HIGHLIGHTING, OR OTHER MARKINGS TO THIS DOCUMENT ARE NOT PERMITTED AND INVALIDATE THIS CERTIFICATION.